

VS FloPro 1.85 HP
DUAL-VOLTAGE VS PUMP



Jandy[®]

WHERE PERFORMANCE MEETS VALUE



TRADE SERIES
EXCLUSIVE

VS FLOPRO[™]
VARIABLE-SPEED PUMP

The most affordable full-featured variable-speed pump in its class.*

A full-featured 1.85 HP variable-speed pump that delivers on price and value, the VS FloPro™ 1.85 is the perfect replacement for single-speed pumps up to 1.5 HP.

• 115v/230v Dual Voltage

The option to operate with either 115v or 230v power sources while delivering nearly identical hydraulic performance at both voltages means you can skip expensive mains power rewiring.

• Aftermarket Replacement

Included adjustable base allows for exact alignment with critical plumbing dimensions for easy aftermarket replacement of popular Pentair® and Hayward® single-speed and variable-speed pumps.

• Filtration and More

Perfect for use as a filtration pump on medium-sized pools or to drive small- to medium-sized water features.



VS FloPro with included adjustable base for seamless direct replacement of other pump models

• Lower Electricity Costs

The VS FloPro 1.85 offers impressive energy-savings of over \$850 per year.*

*Based on a 22,500 gallon pool with two turnovers per day at an energy cost of \$0.195/kWh vs. comparable single speed pumps; when tested in accordance with the applicable requirements of 10 CFR 429.

• Total Programmability

Works with the following Jandy control systems for total programmability and customization:

- › SpeedSet™ Controller (preinstalled option)
- › iQPUMP01 with iAquaLink® App Control
- › Jandy AquaLink® Automation Systems

• Additional Features

- › Totally Enclosed Fan Cooled Motor (TEFC) extends pump life
- › 2" unions included or utilize 2" internal threads
- › Easy Controller Setup auto detects connection to an automation system or a traditional controller, eliminating the need to adjust settings manually
- › Tool-free lid for easy debris removal
- › Ergonomic easy-transport handle

* Based on October 2022 list price comparisons of 1.85 HP variable-speed pumps from the 3 leading U.S.-based pool pump manufacturers.

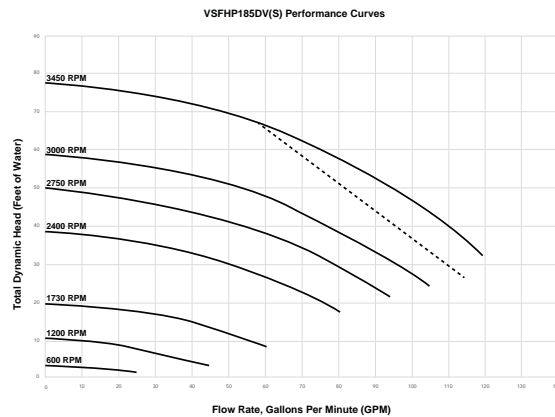
MODELS

Model No.	Description
VSFHP185DVS	VS FloPro, 1.85 HP, SpeedSet Controller Preinstalled
VSFHP185DV	VS FloPro, 1.85 HP, Controller Sold Separately

SPECIFICATIONS

Model No.	HP ³	WEF ¹	Voltage	Max Watts	Amps	Union Size	Rec. Pipe Size ²	Weight
VSFHP185DV(S)	1.85 HP ³	8.2	230 VAC	1875W	13.5	2"	1 1/2"-2"	40.4 lbs.
		8.6	115 VAC		17.4			

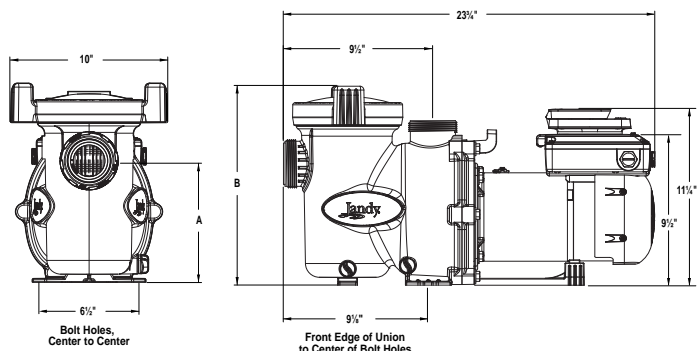
PERFORMANCE



ADJUSTABLE BASE CONFIGURATIONS⁴

Base	Fits	A Dimension	B Dimension
No Base	Hayward® Super Pump® Pentair® SuperFlo® Sta-Rite® SuperMax®	7-3/4"	12-3/4"
Small Base	Hayward® Super II™ Jandy® PlusHP and MaxHP™ Pumps	8-7/8"	13-7/8"
Small Base w/ Spacers	Pentair WhisperFlo® and IntelliFlo® VSF, Sta-Rite Dyna Glas™	9-1/8"	14-1/8"
Small Base + Large Base	Sta-Rite Max-E-Pro® Sta-Rite Dura-Glas® Sta-Rite Dura-Glas II Sta-Rite Max-E-Glas®	10-3/4"	15-3/4"

DIMENSIONS



A Fluidra Brand | Jandy.com | 1.800.822.7933

©2023 Zodiac Pool Systems LLC. All rights reserved. ZODIAC® is a registered trademark of Zodiac International, S.A.S.U., used under license. All other trademarks are the property of their respective owners. 52848.1_SL

¹ WEF = weighted energy factor in kcal/kWh. WEF is a performance-based metric adopted by the Department of Energy to characterize the energy performance of dedicated-purpose pool pumps. Department of Energy 10 CFR Parts 429 and 431.

² Always follow local building and safety codes for pipe sizing and guidelines

³ 1.85 HP x 1.215 SF = 2.25 THP

⁴ Small base with spacers included with all FloPro pumps. Large base is optional part R0546400.

